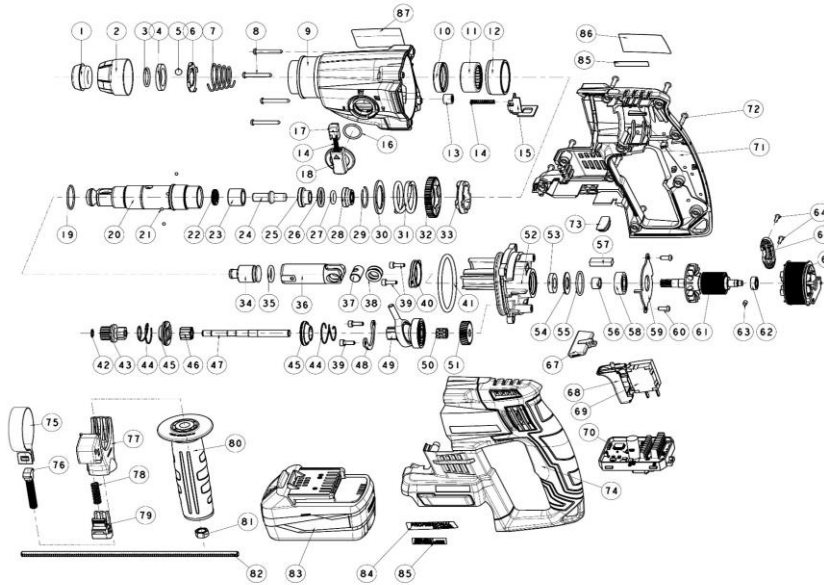


EXPLODED DRAWING AND SPARE PARTS

BRH 18BL_2x4.0Ah
Art. 5717 508 012

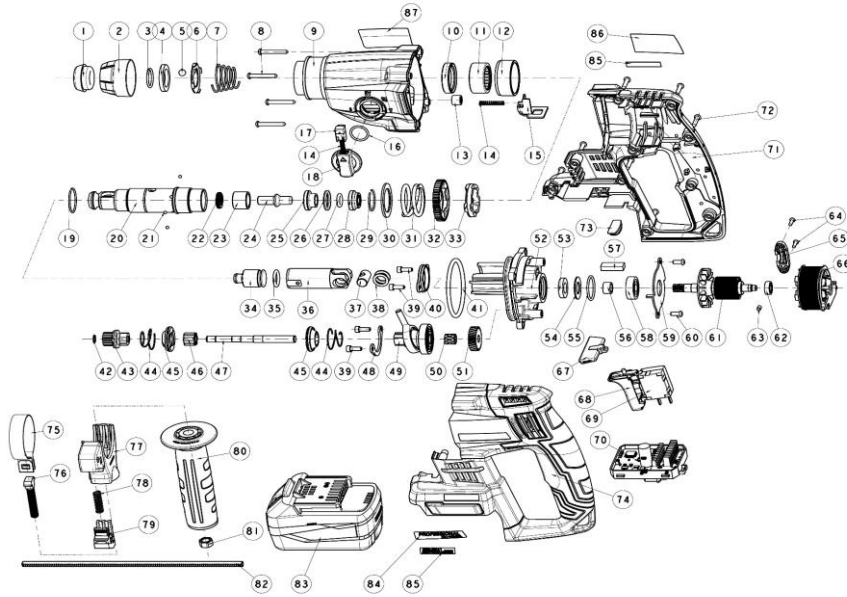


Parts List				Parts List			
Ref.No	Description	Art. No	P. Qty	Ref.No	Description	Art. No	P. Qty
1	DUST COVER	5817508001	1	39	HEX SOC HD BOLT M4x16	5817508039	4
2	TOOL HOLDER COVER	5817508002	1	40	INNER COVER BUSH	5817508040	1
3	HOLDER RING	5817002002	1	41	O-RING INNER COVER	5817508041	1
4	HOLDER BUSH	5817002004	1	42	SNAP RING	5817002040	1
5	STEEL BALL	5817002005	1	43	SECOND GEAR	5817508043	1
6	BALL SUPPORT PLATE	5817002006	1	44	CLUTCH A SPRING	5817508044	2
7	SPRING B	5817002007	1	45	CLUTCH A	5817508045	2
8	TORX HD TAP S AND SW M4x35	5817508008	4	46	CLUTCH	5817508046	1
9	GEAR COVER ASSY	5817508009	1	47	DRIVING SHAFT	5817508047	1
10	OIL SEAL	5817002010	1	48	BEARING COVER A	5817002049	1
11	NEEDLE BEARING HK2816	5817508011	1	49	SWASH BEARING	5817508049	1
12	NEEDLE BEARING HOUSING	5817508012	1	50	NEEDLE BEARING	5817002051	1
13	NEEDLE BEARING	5817004012	1	51	FIRST GEAR	5817508051	1
14	LOCK BUTTON SPRING	5817508014	1	52	INNER COVER	5817508052	1
15	LOCKING PLATE	5817508015	1	53	BEARING FELT	5817002056	1
16	O-RING	5817508016	1	54	FELT WASHER	5817002057	1
17	LOCK BUTTON	5817508017	1	55	O-RING A	5817002058	1
18	CHANGE LEVER	5817508018	1	56	FELT BUSH	5817508056	1
19	RING SPRING A	5817508019	1	57	FELT	5817508057	1
20	CYLINDER	5817508020	1	58	BALL BEARING 6000	5817002061	1
21	STEEL BALL	5817508021	4	59	BEARING COVER	5817508059	1
22	ANVIL DAMPER	5817508022	1	60	TORX HD MC SCREW M4x10	5817002062	2
23	ANVIL BUSH	5817508023	1	61	ROTOR	5817508061	1
24	ANVIL	5817508024	1	62	BALL BEARING 696	5817508062	1
25	DAMPER BUSH A	5817508025	1	63	RUBBER A	5817508063	1
26	O-RING DAMPER	5817508026	1	64	TORX HD TAP SCREW M3x16	5817501014	2
27	O-RING CATCHER	5817508027	1	65	BEARING CAP	5817508065	1
28	DAMPER BUSH B	5817508028	1	67	REVERSE KNOB	5817508067	1
29	RING SPRING DAMPER	5817508029	1	72	TORX HD TAP S and PW M4x20	5817508072	1
30	SAFETY CLUTCH WASHER	5817508030	1	73	RUBBER DAMPER	5817506016	1
31	SAFETY CLUTCH SPRING	5817508031	1	82	STOPPER	5817002089	1
32	FINAL GEAR	5817508032	1	66,68,69,70	CONTROLLER SUB ASSY	5817508088	1
33	SAFETY CLUTCH DISC	5817508033	1	71,74	HOUSING SUB ASSY	5817508074	1
34	STRIKER	5817508034	1	75,76,77,78,79,80,81	SIDE HANDLE ASSY	5817002080	1
35	O-RING STRIKER	5817508035	1				
36	PISTON	5817508036	1				
37	PISTON PIN	5817508037	1				
38	PISTON PIN WASHER	5817508038	2				

EXPLODED DRAWING AND SPARE PARTS

BRH 18BL_2x4.0Ah-UAE

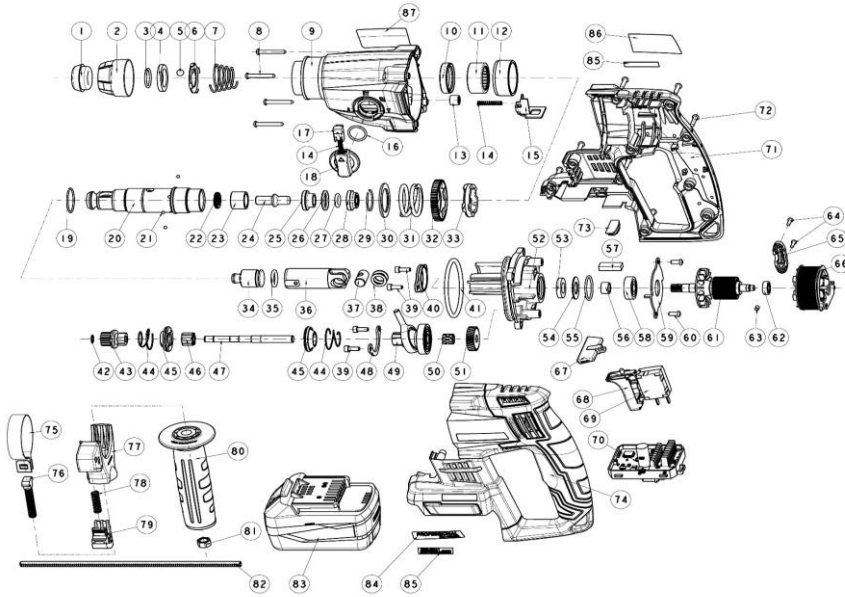
Art. 5717 508 032



Parts List				Parts List			
Ref.No	Description	Art. No	P. Qty	Ref.No	Description	Art. No	P. Qty
1	DUST COVER	5817508001	1	39	HEX SOC HD BOLT M4x16	5817508039	4
2	TOOL HOLDER COVER	5817508002	1	40	INNER COVER BUSH	5817508040	1
3	HOLDER RING	5817002002	1	41	O-RING INNER COVER	5817508041	1
4	HOLDER BUSH	5817002004	1	42	SNAP RING	5817002040	1
5	STEEL BALL	5817002005	1	43	SECOND GEAR	5817508043	1
6	BALL SUPPORT PLATE	5817002006	1	44	CLUTCH A SPRING	5817508044	2
7	SPRING B	5817002007	1	45	CLUTCH A	5817508045	2
8	TORX HD TAP S AND SW M4x35	5817508008	4	46	CLUTCH	5817508046	1
9	GEAR COVER ASSY	5817508009	1	47	DRIVING SHAFT	5817508047	1
10	OIL SEAL	5817002010	1	48	BEARING COVER A	5817002049	1
11	NEEDLE BEARING HK2816	5817508011	1	49	SWASH BEARING	5817508049	1
12	NEEDLE BEARING HOUSING	5817508012	1	50	NEEDLE BEARING	5817002051	1
13	NEEDLE BEARING	5817004012	1	51	FIRST GEAR	5817508051	1
14	LOCK BUTTON SPRING	5817508014	1	52	INNER COVER	5817508052	1
15	LOCKING PLATE	5817508015	1	53	BEARING FELT	5817002056	1
16	O-RING	5817508016	1	54	FELT WASHER	5817002057	1
17	LOCK BUTTON	5817508017	1	55	O-RING A	5817002058	1
18	CHANGE LEVER	5817508018	1	56	FELT BUSH	5817508056	1
19	RING SPRING A	5817508019	1	57	FELT	5817508057	1
20	CYLINDER	5817508020	1	58	BALL BEARING 6000	5817002061	1
21	STEEL BALL	5817508021	4	59	BEARING COVER	5817508059	1
22	ANVIL DAMPER	5817508022	1	60	TORX HD MC SCREW M4x10	5817002062	2
23	ANVIL BUSH	5817508023	1	61	ROTOR	5817508061	1
24	ANVIL	5817508024	1	62	BALL BEARING 696	5817508062	1
25	DAMPER BUSH A	5817508025	1	63	RUBBER A	5817508063	1
26	O-RING DAMPER	5817508026	1	64	TORX HD TAP SCREW M3x16	5817501014	2
27	O-RING CATCHER	5817508027	1	65	BEARING CAP	5817508065	1
28	DAMPER BUSH B	5817508028	1	67	REVERSE KNOB	5817508067	1
29	RING SPRING DAMPER	5817508029	1	72	TORX HD TAP S and PW M4x20	5817508072	1
30	SAFETY CLUTCH WASHER	5817508030	1	73	RUBBER DAMPER	5817506016	1
31	SAFETY CLUTCH SPRING	5817508031	1	82	STOPPER	5817002089	1
32	FINAL GEAR	5817508032	1	66,68,69,70	CONTROLLER SUB ASSY	5817508088	1
33	SAFETY CLUTCH DISC	5817508033	1	71,74	HOUSING SUB ASSY	5817508074	1
34	STRIKER	5817508034	1	75,76,77,78,79,80,81	SIDE HANDLE ASSY	5817002080	1
35	O-RING STRIKER	5817508035	1				
36	PISTON	5817508036	1				
37	PISTON PIN	5817508037	1				
38	PISTON PIN WASHER	5817508038	2				

EXPLODED DRAWING AND SPARE PARTS

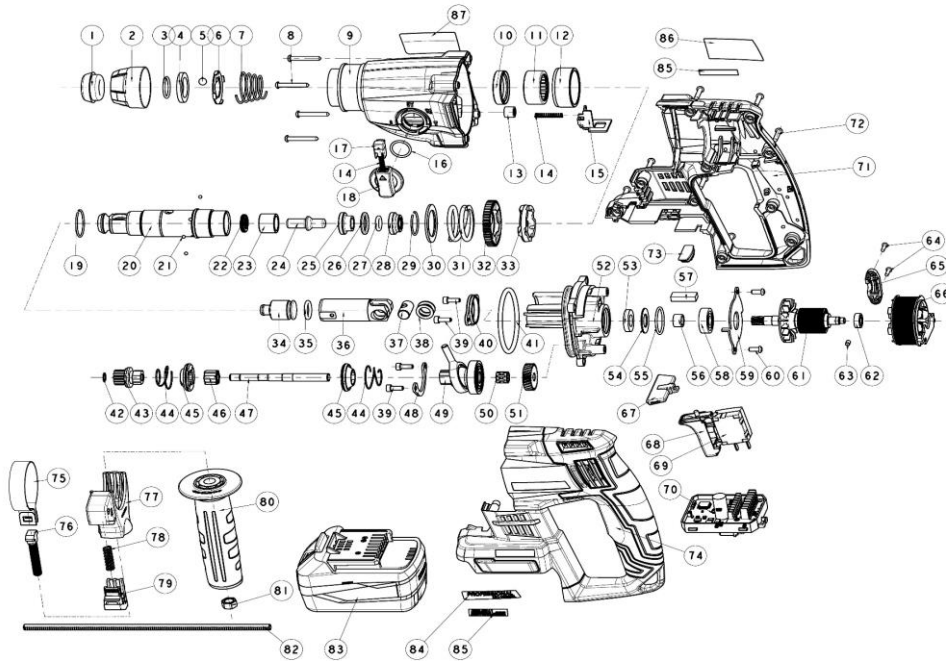
**ABH 18 COMPACT
CLASSIC_2x5.0Ah
Art. 8717 520 122**



Parts List				Parts List			
Ref.No	Description	Art. No	P. Qty	Ref.No	Description	Art. No	P. Qty
1	DUST COVER	5817508001	1	39	HEX SOC HD BOLT M4x16	5817508039	4
2	TOOL HOLDER COVER	5817508002	1	40	INNER COVER BUSH	5817508040	1
3	HOLDER RING	5817002002	1	41	O-RING INNER COVER	5817508041	1
4	HOLDER BUSH	5817002004	1	42	SNAP RING	5817002040	1
5	STEEL BALL	5817002005	1	43	SECOND GEAR	5817508043	1
6	BALL SUPPORT PLATE	5817002006	1	44	CLUTCH A SPRING	5817508044	2
7	SPRING B	5817002007	1	45	CLUTCH A	5817508045	2
8	TORX HD TAP S AND SW M4x35	5817508008	4	46	CLUTCH	5817508046	1
9	GEAR COVER ASSY	5817508009	1	47	DRIVING SHAFT	5817508047	1
10	OIL SEAL	5817002010	1	48	BEARING COVER A	5817002049	1
11	NEEDLE BEARING HK2816	5817508011	1	49	SWASH BEARING	5817508049	1
12	NEEDLE BEARING HOUSING	5817508012	1	50	NEEDLE BEARING	5817002051	1
13	NEEDLE BEARING	5817004012	1	51	FIRST GEAR	5817508051	1
14	LOCK BUTTON SPRING	5817508014	1	52	INNER COVER	5817508052	1
15	LOCKING PLATE	5817508015	1	53	BEARING FELT	5817002056	1
16	O-RING	5817508016	1	54	FELT WASHER	5817002057	1
17	LOCK BUTTON	5817508017	1	55	O-RING A	5817002058	1
18	CHANGE LEVER	5817508018	1	56	FELT BUSH	5817508056	1
19	RING SPRING A	5817508019	1	57	FELT	5817508057	1
20	CYLINDER	5817508020	1	58	BALL BEARING 6000	5817002061	1
21	STEEL BALL	5817508021	4	59	BEARING COVER	5817508059	1
22	ANVIL DAMPER	5817508022	1	60	TORX HD MC SCREW M4x10	5817002062	2
23	ANVIL BUSH	5817508023	1	61	ROTOR	5817508061	1
24	ANVIL	5817508024	1	62	BALL BEARING 696	5817508062	1
25	DAMPER BUSH A	5817508025	1	63	RUBBER A	5817508063	1
26	O-RING DAMPER	5817508026	1	64	TORX HD TAP SCREW M3x16	5817501014	2
27	O-RING CATCHER	5817508027	1	65	BEARING CAP	5817508065	1
28	DAMPER BUSH B	5817508028	1	67	REVERSE KNOB	5817508067	1
29	RING SPRING DAMPER	5817508029	1	72	TORX HD TAP S and PW M4x20	5817508072	1
30	SAFETY CLUTCH WASHER	5817508030	1	73	RUBBER DAMPER	5817506016	1
31	SAFETY CLUTCH SPRING	5817508031	1	82	STOPPER	5817002089	1
32	FINAL GEAR	5817508032	1	66,68,69,70	CONTROLLER SUB ASSY	5817508088	1
33	SAFETY CLUTCH DISC	5817508033	1	71,74	HOUSING SUB ASSY	5817508074	1
34	STRIKER	5817508034	1	75,76,77,78, 79,80,81	SIDE HANDLE ASSY	5817002080	1
35	O-RING STRIKER	5817508035	1				
36	PISTON	5817508036	1				
37	PISTON PIN	5817508037	1				
38	PISTON PIN WASHER	5817508038	2				

EXPLODED DRAWING AND SPARE PARTS

ABH 18 LIGHT CLASSIC
rt. 5717 523 01x

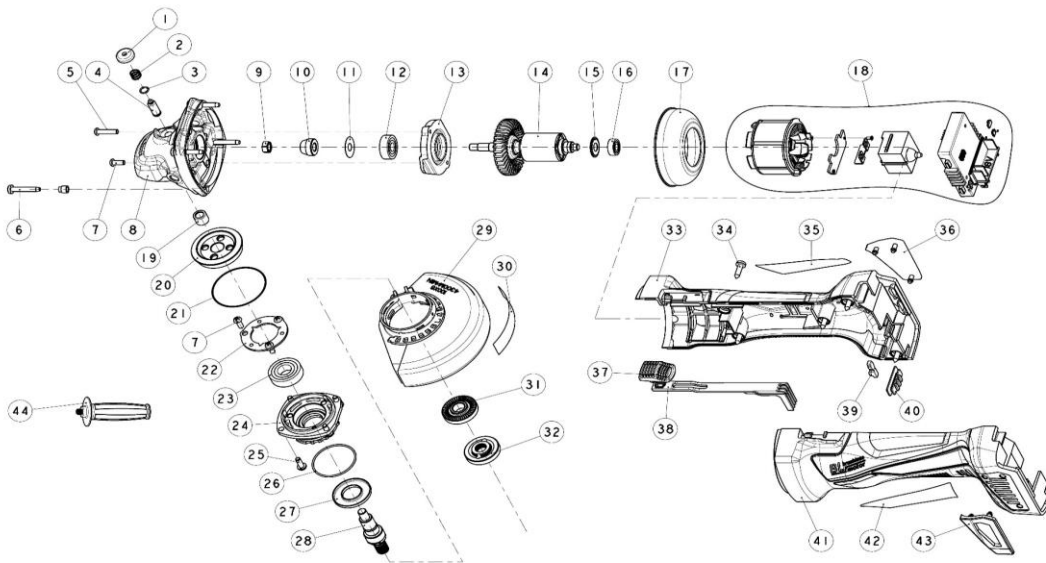


Parts List				Parts List			
Ref.No	Description	Art. No	P. Qty	Ref.No	Description	Art. No	P. Qty
1	DUST COVER	5817508001	1	39	HEX SOC HD BOLT M4x16	5817508039	4
2	TOOL HOLDER COVER	5817508002	1	40	INNER COVER BUSH	5817508040	1
3	HOLDER RING	5817002002	1	41	O-RING INNER COVER	5817508041	1
4	HOLDER BUSH	5817002004	1	42	SNAP RING	5817002040	1
5	STEEL BALL	5817002005	1	43	SECOND GEAR	5817508043	1
6	BALL SUPPORT PLATE	5817002006	1	44	CLUTCH A SPRING	5817508044	2
7	SPRING B	5817002007	1	45	CLUTCH A	5817508045	2
8	TORX HD TAP S AND SW M4x35	5817508008	4	46	CLUTCH	5817508046	1
9	GEAR COVER ASS'Y	5817508009	1	47	DRIVING SHAFT	5817508047	1
10	OIL SEAL	5817002010	1	48	BEARING COVER A	5817002049	1
11	NEEDLE BEARING HK2816	5817508011	1	49	SWASH BEARING	5817508049	1
12	NEEDLE BEARING HOUSING	5817508012	1	50	NEEDLE BEARING	5817002051	1
13	NEEDLE BEARING	5817004012	1	51	FIRST GEAR	5817508051	1
14	LOCK BUTTON SPRING	5817508014	1	52	INNER COVER	5817508052	1
15	LOCKING PLATE	5817508015	1	53	BEARING FELT	5817002056	1
16	O-RING	5817508016	1	54	FELT WASHER	5817002057	1
17	LOCK BUTTON	5817508017	1	55	O-RING A	5817002058	1
18	CHANGE LEVER	5817508018	1	56	FELT BUSH	5817508056	1
19	RING SPRING A	5817508019	1	57	FELT	5817508057	1
20	CYLINDER	5817508020	1	58	BALL BEARING 6000	5817002061	1
21	STEEL BALL	5817508021	4	59	BEARING COVER	5817508059	1
22	ANVIL DAMPER	5817508022	1	60	TORX HD MC SCREW M4x10	5817002062	2
23	ANVIL BUSH	5817508023	1	61	ROTOR	5817508061	1
24	ANVIL	5817508024	1	62	BALL BEARING 696	5817508062	1
25	DAMPER BUSH A	5817508025	1	63	RUBBER A	5817508063	1
26	O-RING DAMPER	5817508026	1	64	TORX HD TAP SCREW M3x16	5817501014	2
27	O-RING CATCHER	5817508027	1	65	BEARING CAP	5817508065	1
28	DAMPER BUSH B	5817508028	1	67	REVERSE KNOB	5817508067	1
29	RING SPRING DAMPER	5817508029	1	72	TORX HD TAP S and PW M4x20	5817508072	1
30	SAFETY CLUTCH WASHER	5817508030	1	73	RUBBER DAMPER	5817506016	1
31	SAFETY CLUTCH SPRING	5817508031	1	82	STOPPER	5817002089	1
32	FINAL GEAR	5817508032	1	66,68,69,70	CONTROLLER SUB ASSY	5817508088	1
33	SAFETY CLUTCH DISC	5817508033	1	71,74	HOUSING SUB ASSY	5817508074	1
34	STRIKER	5817508034	1	75,76,77,78, 79,80,81	SIDE HANDLE ASSY	5817002080	1
35	O-RING STRIKER	5817508035	1				
36	PISTON	5817508036	1				
37	PISTON PIN	5817508037	1				
38	PISTON PIN WASHER	5817508038	2				

EXPLODED DRAWING AND SPARE PARTS

BAG 18BL

Art. 5717 509 012

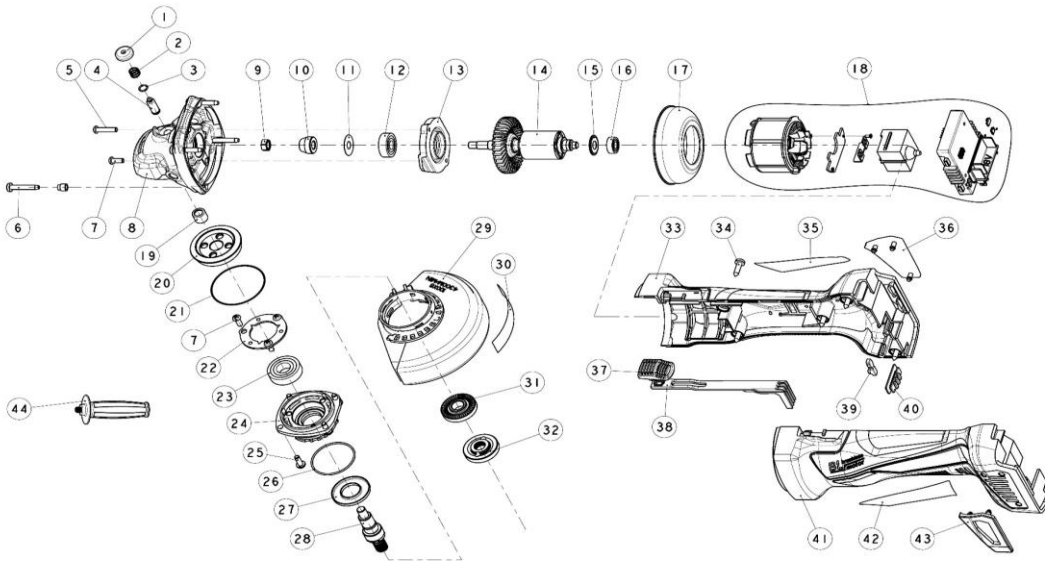


Parts List				Parts List			
Ref.No	Description	Art. No	P. Qty	Ref.No	Description	Art. No	P. Qty
1	PUSH BUTTON NEW	5817526001	1	22	BEARING COVER B	5817004036	1
2	LOCK SPRING	5817509007	1	23	BALL BEARING 6001	5817004037	1
3, 4	LOCK PIN	5817004007	1	24	PACKING GLAND	5817004034	1
5	TORX HD MC S AND SW M4x18	5817004008	1	25	TORX HD TAP SCREW M4x12	5817004004	4
6	TORX HD TAP SCREW M4x23	5817004009	4	26	O-RING C	5817004033	1
7	TORX HD MC SCREW M4x10	5817004032	4	27	FRINGER	5817004039	1
8	GEAR COVER	5817509008	1	28	SPINDLE	5817004042	1
9	HEX NUT	5817004013	1	29	WHEEL GUARD ASS'Y	5817006001	1
10	PINION	5817004014	1	31	WHEEL WASHER D14_D22.2	5817004040	1
11	PLATE	5817004043	1	32	WHEEL NUT	5817004041	1
12	BALL BEARING 608	5817004015	1	33, 41	HOUSING ASS'Y	5817509027	1
13	BEARING COVER	5817004016	1	34	TORX HD TAP S AND PW M4x18	5817008045	5
14	ROTOR ASSY	5817509023	1	36	DUST COVER R	5817509001	1
15	DUST SEAL	5817509033	1	37	SW KNOB	5817004018	1
16	BALL BEARING 696	5817509024	1	38	SWITCH ROD	5817509025	1
17	FAN GUIDE	5817509040	1	39	RUBBER DAMPER-M	5817509029	2
18	STATOR MODULE ASSY SHIELD	5817509034	1	40	RUBBER DAMPER	5817506016	1
19	NEEDLE BEARING	5817004012	1	43	DUST COVER L	5817509028	1
20	GEAR	5817004010	1	44	SIDE HANDLE	5817004048	1
21	O-RING C	5817004033	1				

EXPLODED DRAWING AND SPARE PARTS

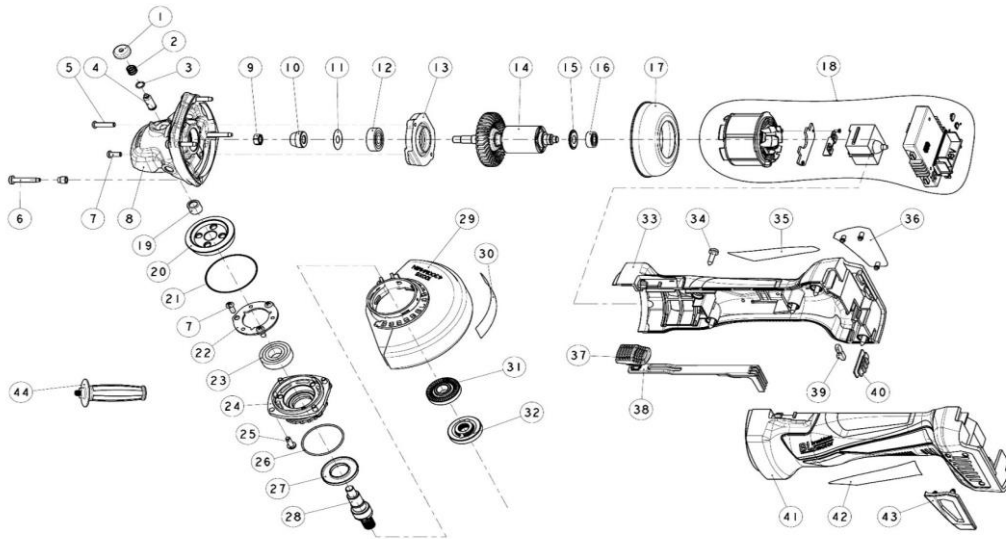
**AWS 18-125 COMPACT
CLASSIC**

Art. 5717 524 01X



Parts List				Parts List			
Ref.No	Description	Art. No	P. Qty	Ref.No	Description	Art. No	P. Qty
1	PUSH BUTTON NEW	5817526001	1	22	BEARING COVER B	5817004036	1
2	LOCK SPRING	5817509007	1	23	BALL BEARING 6001	5817004037	1
3, 4	LOCK PIN	5817004007	1	24	PACKING GLAND	5817004034	1
5	TORX HD MC S AND SW M4x18	5817004008	1	25	TORX HD TAP SCREW M4x12	5817004004	4
6	TORX HD TAP SCREW M4x23	5817004009	4	26	O-RING C	5817004033	1
7	TORX HD MC SCREW M4x10	5817004032	4	27	FRINGER	5817004039	1
8	GEAR COVER	5817509008	1	28	SPINDLE	5817004042	1
9	HEX NUT	5817004013	1	29	WHEEL GUARD ASS'Y	5817006001	1
10	PINION	5817004014	1	31	WHEEL WASHER D14_D22.2	5817004040	1
11	PLATE	5817004043	1	32	WHEEL NUT	5817004041	1
12	BALL BEARING 608	5817004015	1	33, 41	HOUSING ASS'Y	5817509027	1
13	BEARING COVER	5817004016	1	34	TORX HD TAP S AND PW M4x18	5817008045	5
14	ROTOR ASSY	5817509023	1	36	DUST COVER R	5817509001	1
15	DUST SEAL	5817509033	1	37	SW KNOB	5817004018	1
16	BALL BEARING 696	5817509024	1	38	SWITCH ROD	5817509025	1
17	FAN GUIDE	5817509040	1	39	RUBBER DAMPER-M	5817509029	2
18	STATOR MODULE ASSY SHIELD	5817509034	1	40	RUBBER DAMPER	5817506016	1
19	NEEDLE BEARING	5817004012	1	43	DUST COVER L	5817509028	1
20	GEAR	5817004010	1	44	SIDE HANDLE	5817004048	1
21	O-RING C	5817004033	1				

EXPLODED DRAWING AND SPARE PARTS

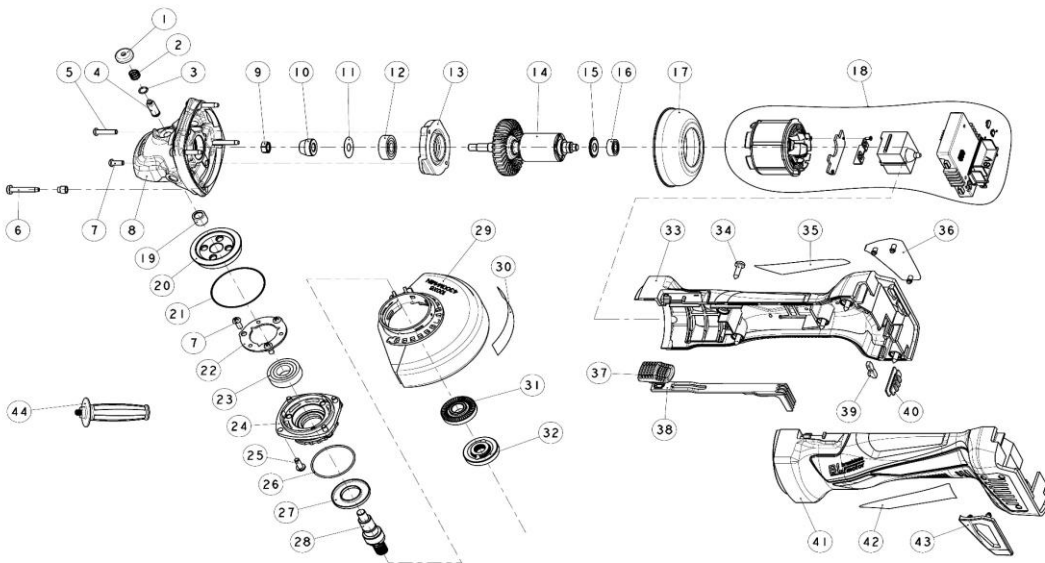
BAG 18 BL
Art. 8717 521 122


Parts List				Parts List			
Ref.No	Description	Art. No	P. Qty	Ref.No	Description	Art. No	P. Qty
1	PUSH BUTTON NEW	5817526001	1	22	BEARING COVER B	5817004036	1
2	LOCK SPRING	5817509007	1	23	BALL BEARING 6001	5817004037	1
3, 4	LOCK PIN	5817004007	1	24	PACKING GLAND	5817004034	1
5	TORX HD MC S AND SW M4x18	5817004008	1	25	TORX HD TAP SCREW M4x12	5817004004	4
6	TORX HD TAP SCREW M4x23	5817004009	4	26	O-RING C	5817004033	1
7	TORX HD MC SCREW M4x10	5817004032	4	27	FRINGER	5817004039	1
8	GEAR COVER	5817509008	1	28	SPINDLE	5817004042	1
9	HEX NUT	5817004013	1	29	WHEEL GUARD ASS'Y	5817006001	1
10	PINION	5817004014	1	31	WHEEL WASHER D14_D22.2	5817004040	1
11	PLATE	5817004043	1	32	WHEEL NUT D42 TW	5817509035	1
12	BALL BEARING 608	5817004015	1	33, 41	HOUSING ASSY	5817509027	1
13	BEARING COVER	5817004016	1	34	TORX HD TAP S AND PW M4x18	5817008045	5
14	ROTOR ASSY	5817509023	1	36	DUST COVER R	5817509001	1
15	DUST SEAL	5817509033	1	37	SW KNOB	5817004018	1
16	BALL BEARING 696	5817509024	1	38	SWITCH ROD	5817509025	1
17	FAN GUIDE	5817509040	1	39	RUBBER DAMPER-M	5817509029	2
18	STATOR MODULE ASS'Y SHIELD	5817509034	1	40	RUBBER DAMPER	5817506016	1
19	NEEDLE BEARING	5817004012	1	43	DUST COVER L	5817509028	1
20	GEAR	5817004010	1	44	SIDE HANDLE	5817004048	1
21	O-RING C	5817004033	1				

EXPLODED DRAWING AND SPARE PARTS

BAG 18 BL (ZA)

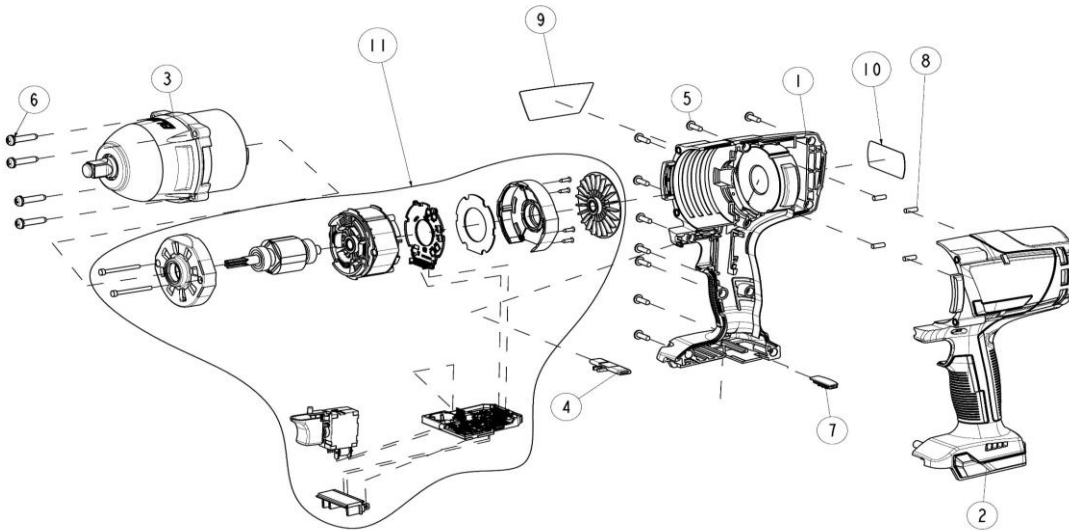
Art. 0702 600 014



Parts List				Parts List			
Ref.No	Description	Art. No	P. Qty	Ref.No	Description	Art. No	P. Qty
1	PUSH BUTTON NEW	5817526001	1	22	BEARING COVER B	5817004036	1
2	LOCK SPRING	5817509007	1	23	BALL BEARING 6001	5817004037	1
3, 4	LOCK PIN	5817004007	1	24	PACKING GLAND	5817004034	1
5	TORX HD MC S AND SW M4x18	5817004008	1	25	TORX HD TAP SCREW M4x12	5817004004	4
6	TORX HD TAP SCREW M4x23	5817004009	4	26	O-RING C	5817004033	1
7	TORX HD MC SCREW M4x10	5817004032	4	27	FRINGER	5817004039	1
8	GEAR COVER	5817509008	1	28	SPINDLE	5817004042	1
9	HEX NUT	5817004013	1	29	WHEEL GUARD ASS'Y	5817006001	1
10	PINION	5817004014	1	31	WHEEL WASHER D14_D22.2	5817004040	1
11	PLATE	5817004043	1	32	WHEEL NUT	5817004041	1
12	BALL BEARING 608	5817004015	1	33, 41	HOUSING ASS'Y	5817509027	1
13	BEARING COVER	5817004016	1	34	TORX HD TAP S AND PW M4x18	5817008045	5
14	ROTOR ASSY	5817509023	1	36	DUST COVER R	5817509001	1
15	DUST SEAL	5817509033	1	37	SW KNOB	5817004018	1
16	BALL BEARING 696	5817509024	1	38	SWITCH ROD	5817509025	1
17	FAN GUIDE	5817509040	1	39	RUBBER DAMPER-M	5817509029	2
18	STATOR MODULE ASS'Y SHIELD	5817509034	1	40	RUBBER DAMPER	5817506016	1
19	NEEDLE BEARING	5817004012	1	43	DUST COVER L	5817509028	1
20	GEAR	5817004010	1	44	SIDE HANDLE	5817004048	1
21	O-RING C	5817004033	1				

EXPLODED DRAWING AND SPARE PARTS

BIW 18BL
Art. 5717 510 012



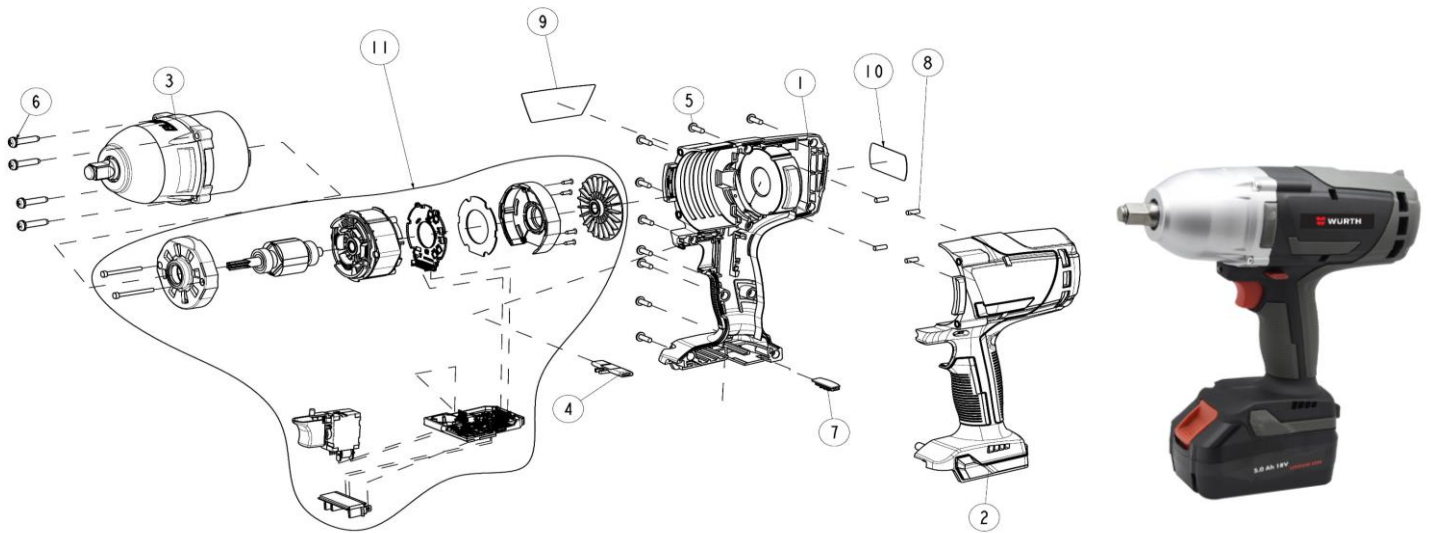
STANDARD PARTS LIST

Parts List			
Ref.No	Description	Art. No	P. Qty
1,2	HOUSING ASS'Y	5817510001	1
3	IMPACT WRENCH GEARBOX ASS'Y	5817510003	1
4	REVERSE KNOB	5817506010	1
5	TORX HD TAP SCREW M4x16	5817510005	9
6	TORX HD TAP SCREW M5x35	5817510006	4
7	RUBBER DAMPER	5817506016	1
8	RUBBER DAMPER MOTOR	5817510008	4
10	REAR LOGO STICKER	5817510010	1
11	MOTOR SUB ASSY	5817510026	1

EXPLODED DRAWING AND SPARE PARTS

ASS 18 POWER CLASSIC

Art. 8717 510 122

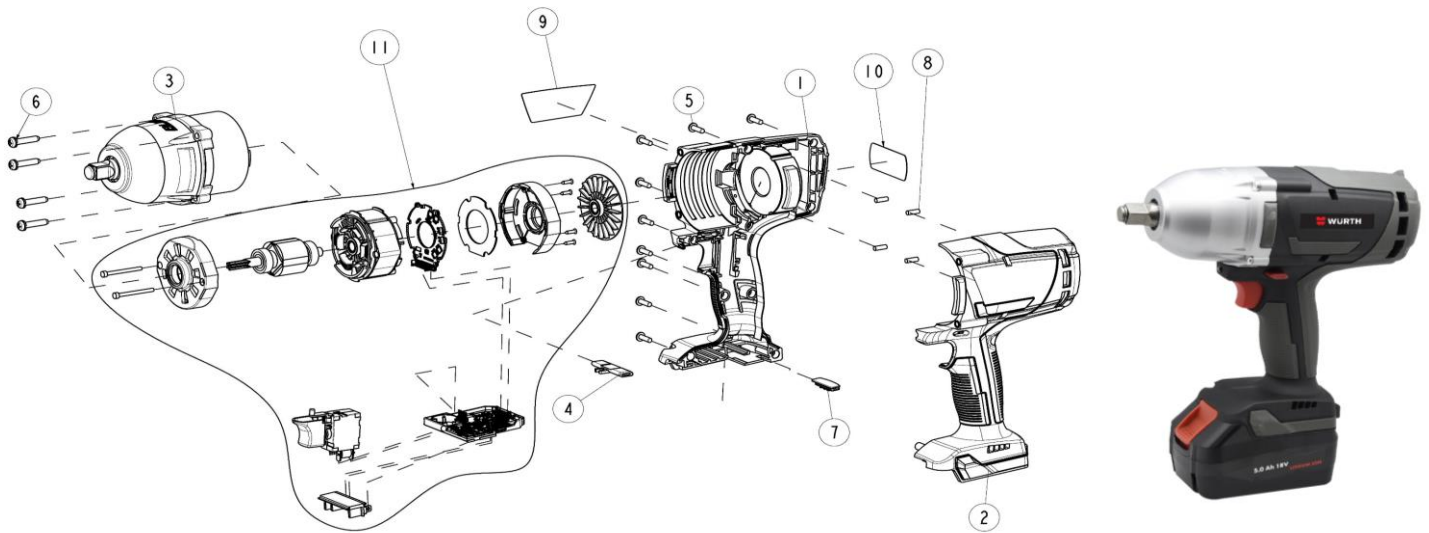


STANDARD PARTS LIST

Parts List			
Ref.No	Description	Art. No	P. Qty
1,2	HOUSING ASS'Y	5817510001	1
3	IMPACT WRENCH GEARBOX ASS'Y	5817510003	1
4	REVERSE KNOB	5817506010	1
5	TORX HD TAP SCREW M4x16	5817510005	9
6	TORX HD TAP SCREW M5x35	5817510006	4
7	RUBBER DAMPER	5817506016	1
8	RUBBER DAMPER MOTOR	5817510008	4
10	REAR LOGO STICKER	5817510010	1
11	MOTOR SUB ASSY	5817510026	1

EXPLODED DRAWING AND SPARE PARTS

ASS 18 HT CLASSIC
Art. 5717 525 012



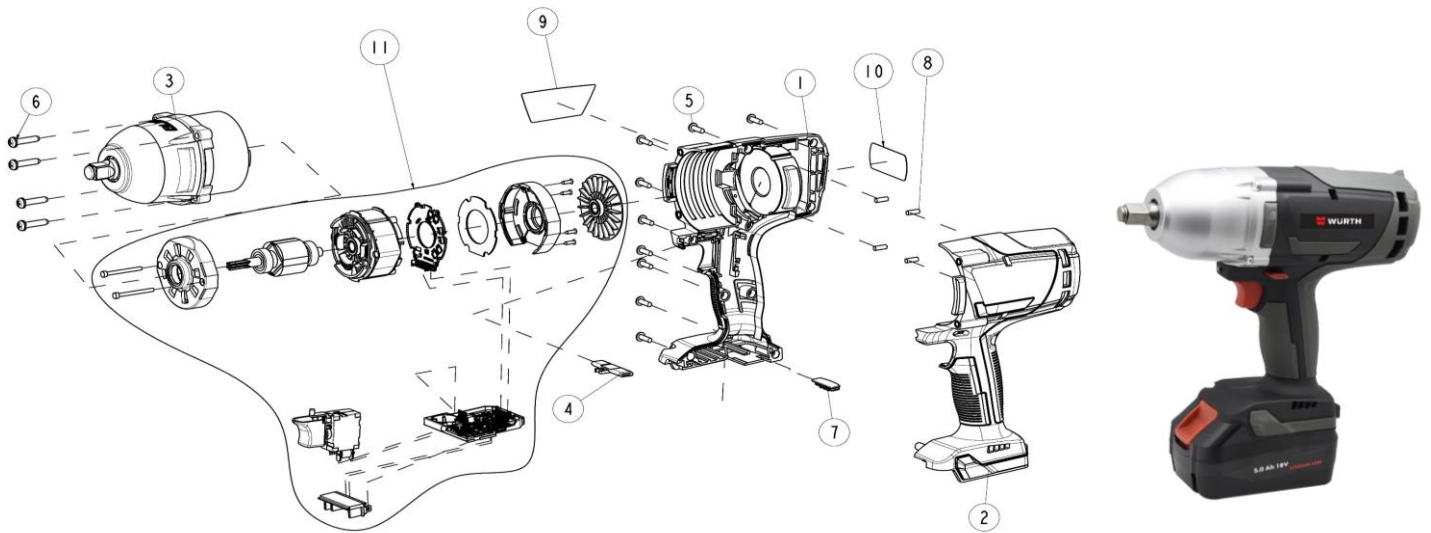
STANDARD PARTS LIST

Parts List			
Ref.No	Description	Art. No	P. Qty
1,2	HOUSING ASS'Y	5817510001	1
3	IMPACT WRENCH GEARBOX ASS'Y	5817510003	1
4	REVERSE KNOB	5817506010	1
5	TORX HD TAP SCREW M4x16	5817510005	9
6	TORX HD TAP SCREW M5x35	5817510006	4
7	RUBBER DAMPER	5817506016	1
8	RUBBER DAMPER MOTOR	5817510008	4
10	REAR LOGO STICKER	5817510010	1
11	MOTOR SUB ASSY	5817510026	1

EXPLODED DRAWING AND SPARE PARTS

BIW 18BL (ZA)

Art. 0702 600 016

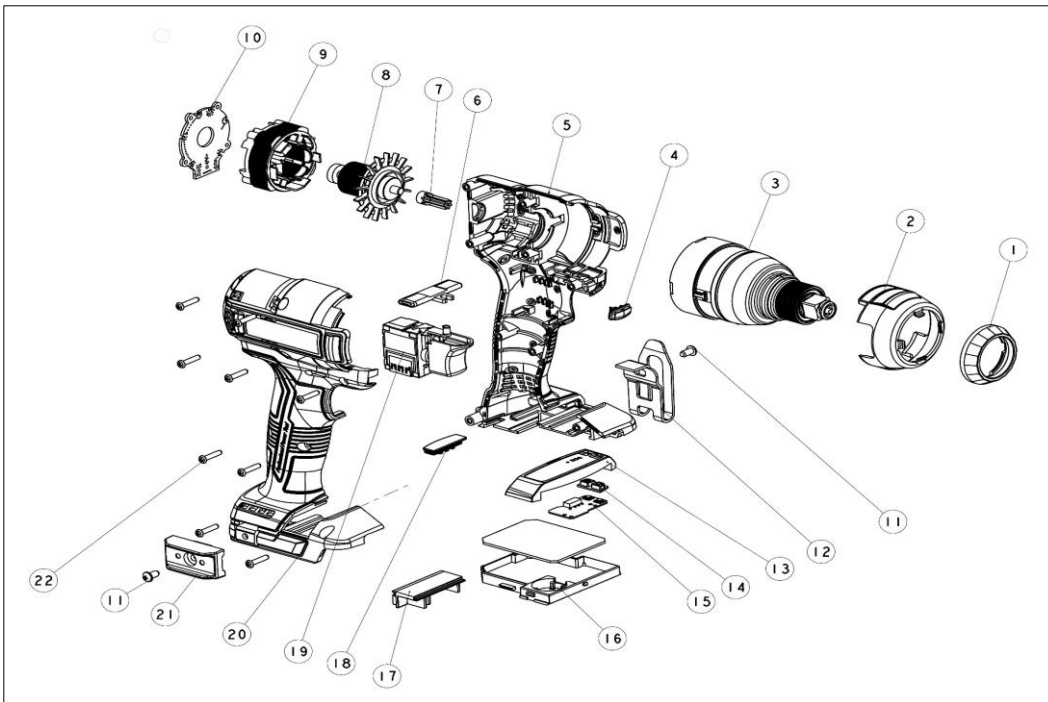


STANDARD PARTS LIST

Parts List			
Ref.No	Description	Art. No	P. Qty
1,2	HOUSING ASS'Y	5817510001	1
3	IMPACT WRENCH GEARBOX ASS'Y	5817510003	1
4	REVERSE KNOB	5817506010	1
5	TORX HD TAP SCREW M4x16	5817510005	9
6	TORX HD TAP SCREW M5x35	5817510006	4
7	RUBBER DAMPER	5817506016	1
8	RUBBER DAMPER MOTOR	5817510008	4
10	REAR LOGO STICKER	5817510010	1
11	MOTOR SUB ASSY	5817510026	1

EXPLODED DRAWING AND SPARE PARTS

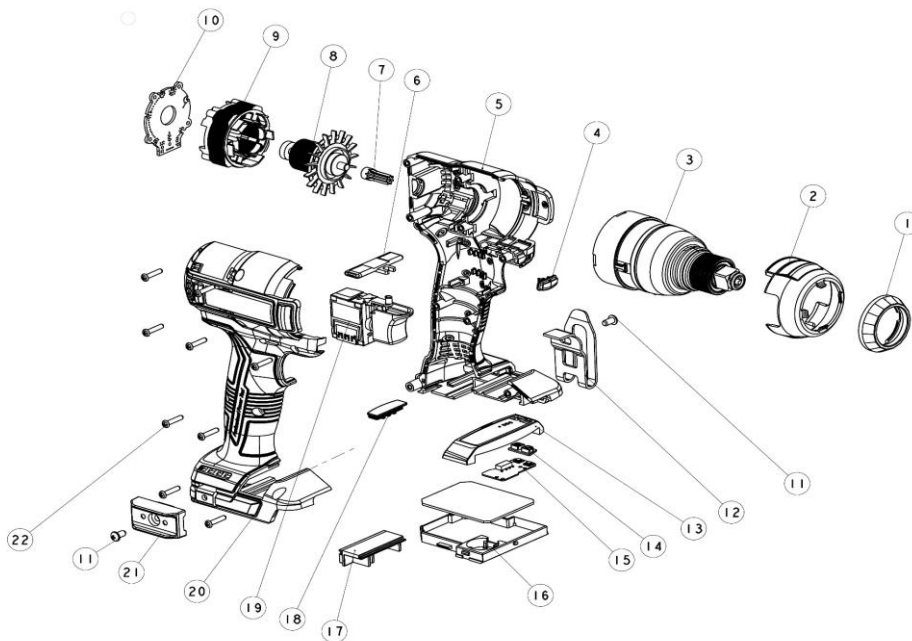
ASS 18BL CLASSIC
Art. 5717 511 01X



Parts List			
Ref.No	Description	Art. No	P. Qty
1	RUBBER BUMPER	5817511001	1
2	GEAR BOX COVER	5817511002	1
3	IMPACT DRIVER WRENCH GEARBOX ASS'Y	5817511003	1
4	LED COVER	5817511004	1
5,20	HOUSING ASS'Y	5817511005	1
6	REVERSE KNOB	5817506010	1
7,8	ROTOR SUB ASS'Y AS	5817511014	1
9,10	HALL + STATOR ASS'Y	5817511007	1
13,14,15, 16,17,19	MAIN PCB ASS'Y	5817511008	1
11	TORX TRUSS HD M/C SCREW M4x8	5817506019	2
12	HOOK	5817506018	1
18	RUBBER DAMPER	5817506016	1
21	BIT HOLDER	5817507016	1
22	TORX HD TAP SCREW M3x16	5817501014	9

EXPLODED DRAWING AND SPARE PARTS

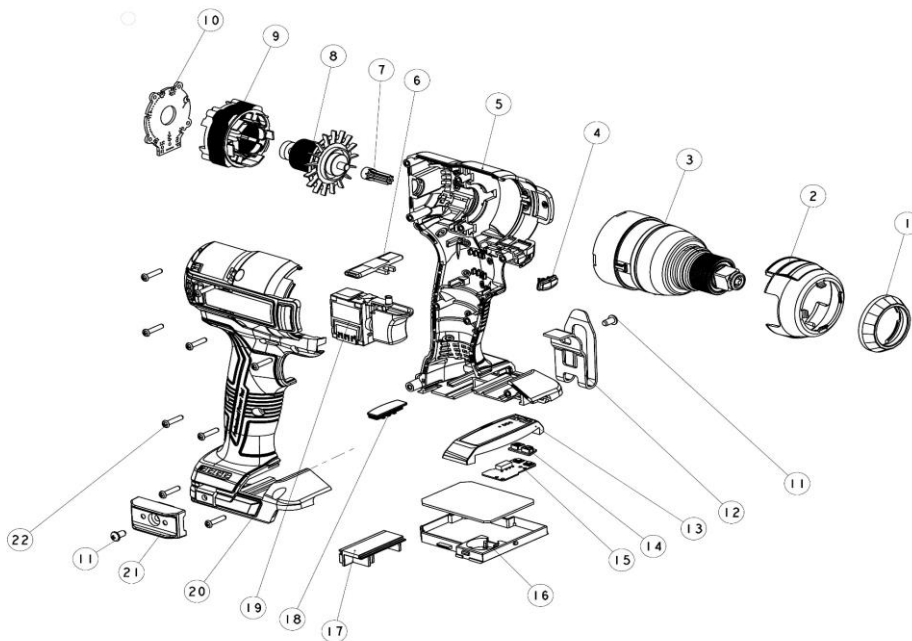
ASS 18BL CLASSIC
Art. 8717 511 122



Parts List			
Ref.No	Description	Art. No	P. Qty
1	RUBBER BUMPER	5817511001	1
2	GEAR BOX COVER	5817511002	1
3	IMPACT DRIVER WRENCH GEARBOX ASS'Y	5817511003	1
4	LED COVER	5817511004	1
5,20	HOUSING ASS'Y	5817511005	1
6	REVERSE KNOB	5817506010	1
7,8	ROTOR SUB ASS'Y AS	5817511014	1
9,10	HALL + STATOR ASS'Y	5817511007	1
13,14,15, 16,17,19	MAIN PCB ASS'Y	5817511008	1
11	TORX TRUSS HD M/C SCREW M4x8	5817506019	2
12	HOOK	5817506018	1
18	RUBBER DAMPER	5817506016	1
21	BIT HOLDER	5817507016	1
22	TORX HD TAP SCREW M3x16	5817501014	9

EXPLODED DRAWING AND SPARE PARTS

ASS 18BL CLASSIC
Art. 5717 511 012

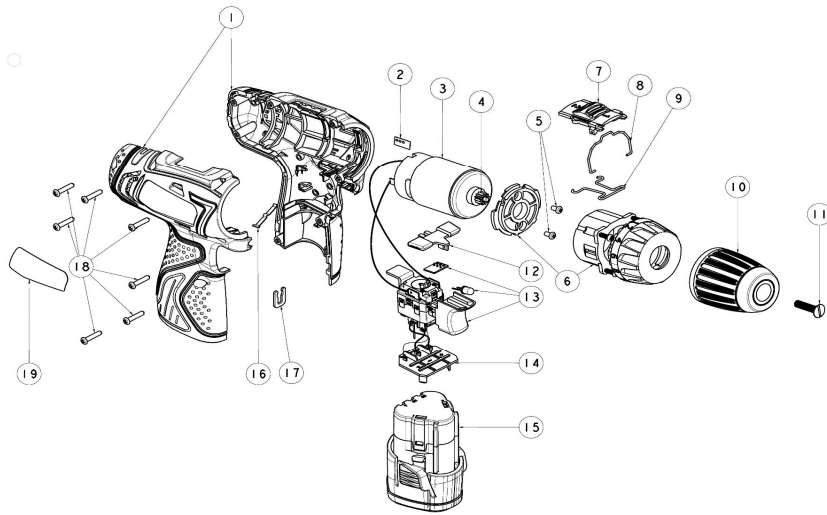


Parts List			
Ref.No	Description	Art. No	P. Qty
1	RUBBER BUMPER	5817511001	1
2	GEAR BOX COVER	5817511002	1
3	IMPACT DRIVER WRENCH GEARBOX ASS'Y	5817511003	1
4	LED COVER	5817511004	1
5,20	HOUSING ASS'Y	5817511005	1
6	REVERSE KNOB	5817506010	1
7,8	ROTOR SUB ASS'Y AS	5817511014	1
9,10	HALL + STATOR ASS'Y	5817511007	1
13,14,15, 16,17,19	MAIN PCB ASS'Y	5817511008	1
11	TORX TRUSS HD M/C SCREW M4x8	5817506019	2
12	HOOK	5817506018	1
18	RUBBER DAMPER	5817506016	1
21	BIT HOLDER	5817507016	1
22	TORX HD TAP SCREW M3x16	5817501014	9

EXPLODED DRAWING AND SPARE PARTS

ABS12 POWER CLASSIC

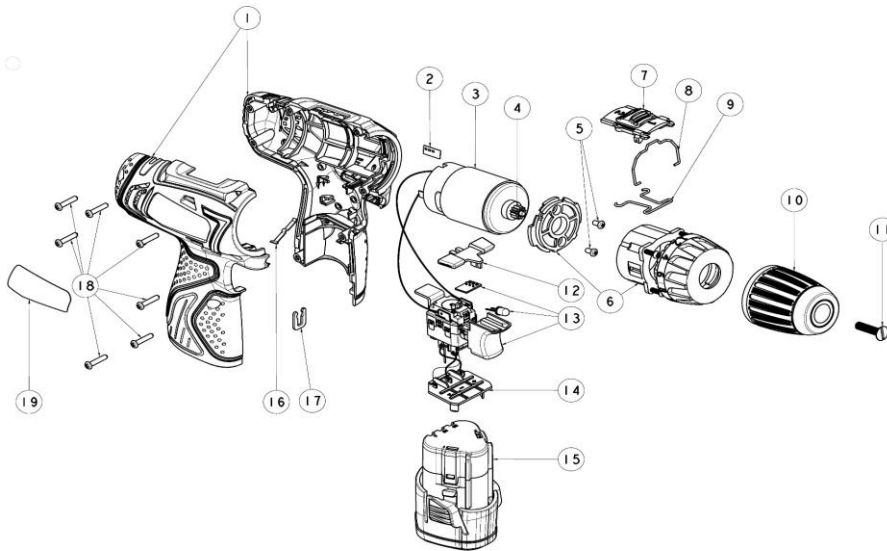
Art. 5717 512 012



Parts List			
Ref.No	Description	Art. No	P. Qty
1	HOUSING ASS'Y	5817501001	1
2	INLAY	5817501002	1
3,4	DC MOTOR SUB ASS'Y	5817501003	1
5	TORX HD M/C SCREW(M3*5)	5817501004	2
6	GEAR BOX ASS'Y	5817501005	1
7,8,9	SHIFT KNOB ASS'Y(AS)	5817512006	1
10	KEYLESS CHUCK(10mm)	5817501007	1
11	TORX HD SPECIAL SCREW(M5*22,LEFT)	5817501008	1
12	REVERSE KNOB	5817501009	1
13	SWITCH ASS'Y	5817501010	1
14	TERMINAL(D) ASS'Y	5817501011	1
16	CLICK SPRING	5817501012	1
17	CLIP(U)	5817501013	1
18	TORX HD TAP SCREW(M3*16)	5817501014	7

EXPLODED DRAWING AND SPARE PARTS

BDD 10.8 POWER(ZA)
Art. 0702 600 011

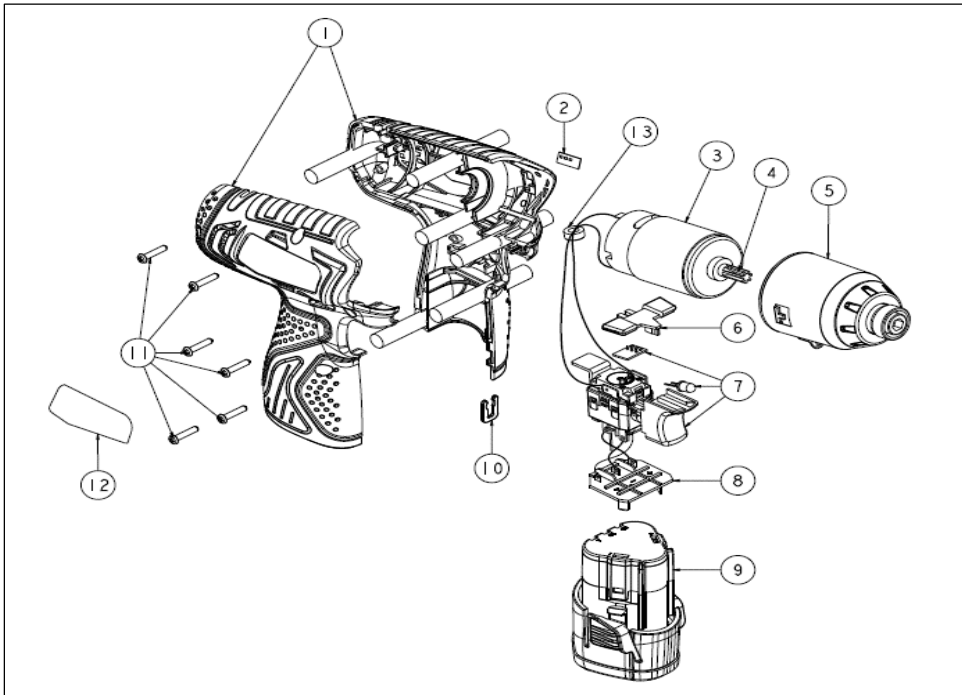


Parts List			
Ref.No	Description	Art. No	P. Qty
1	HOUSING ASS'Y	5817512001	1
2	INLAY	5817501001	1
3, 4	DC MOTOR SUB ASS'Y	5817501002	1
5	TORX HD M/C SCREW M3x5	5817501003	2
6	GEAR BOX ASS'Y	5817501005	1
7, 8, 9	SHIFT KNOB ASS'Y AS	5817501005	1
10	KEYLESS CHUCK 10mm	5817512006	1
11	TORX HD SPECIAL SCREW M5*22,L	5817501007	1
12	REVERSE KNOB	5817501008	1
13	SWITCH ASS'Y	5817501009	1
14	TERMINAL D ASS'Y	5817501010	1
16	CLICK SPRING	5817501011	1
17	CLIP U	5817501012	1
18	TORX HD TAP SCREW M3x16	5817501014	7

EXPLODED DRAWING AND SPARE PARTS

ASS 12 COMPACT CLASSIC

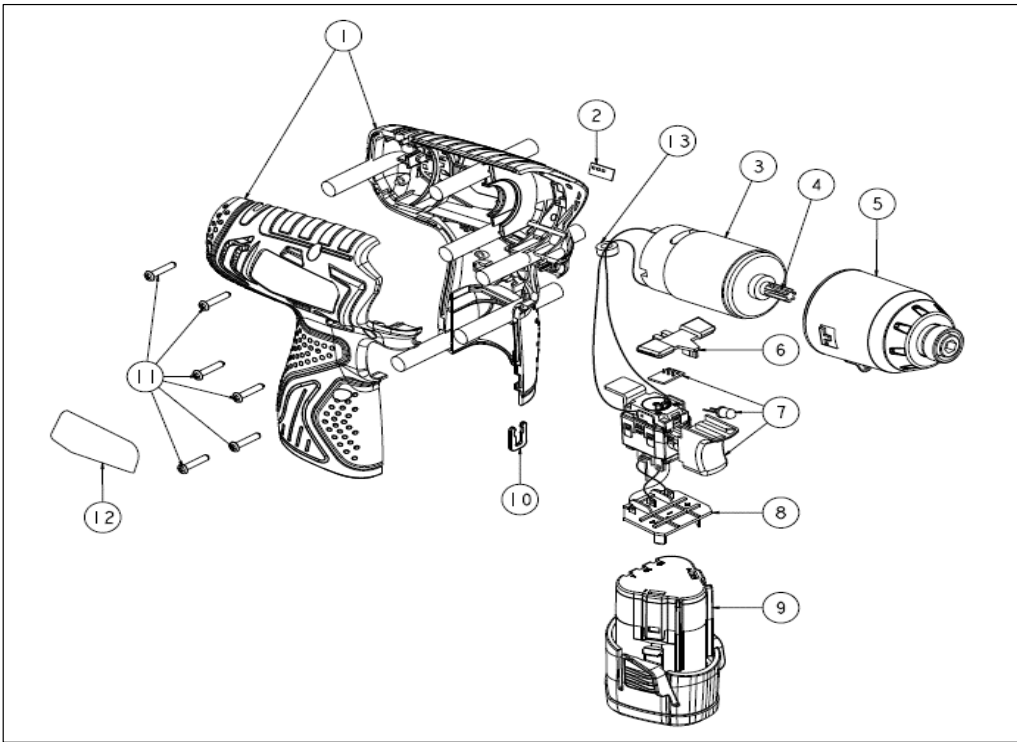
Art. 5717 513 012



Parts List			
Ref.No	Description	Art. No	P. Qty
1	HOUSING ASS'Y WURTH	5817502001	1
2	INLAY	5817501002	1
3, 4	DC MOTOR SUB ASSY	5817502003	1
5	GEAR BOX SUB ASS'Y	5817502004	1
6	REVERSE KNOB	5817501009	1
7	SWITCH ASS'Y	5817501010	1
8	TERMINAL D ASS'Y	5817501011	1
10	CLIP U	5817501013	1
11	TORX HD TAP SCREW M3x16	5817501014	6
13	FERRITE CORE	5817502010	1

EXPLODED DRAWING AND SPARE PARTS

ASS 12 COMPACT CLASSIC
Art. 8717 513 122

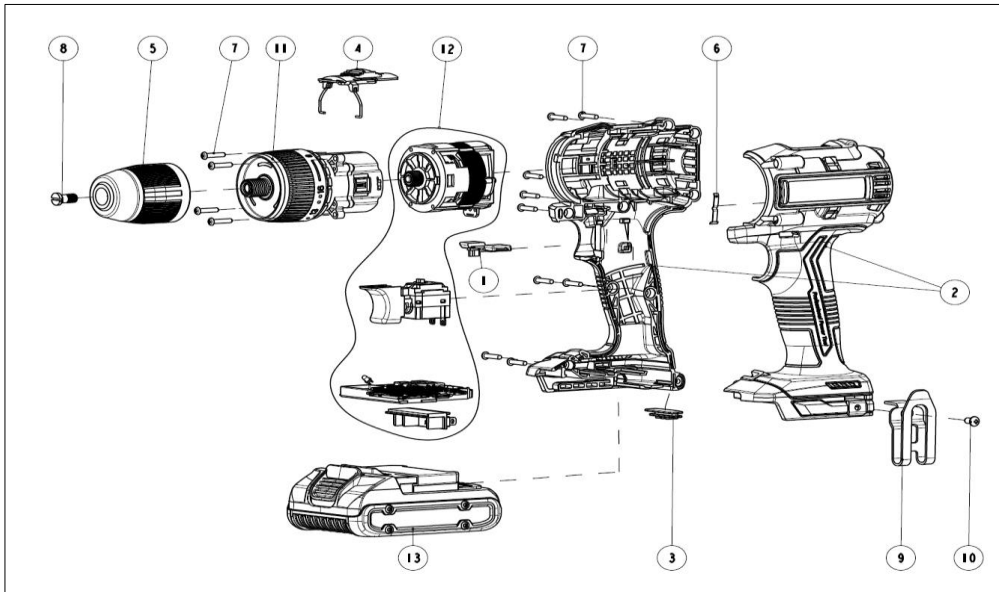


Parts List			
Ref.No	Description	Art. No	P. Qty
1	HOUSING ASSY WURTH	5817502001	1
2	INLAY	5817501002	1
3, 4	DC MOTOR SUB ASSY	5817502003	1
5	GEAR BOX SUB ASSY	5817502004	1
6	REVERSE KNOB	5817501009	1
7	SWITCH ASSY	5817501010	1
8	TERMINAL D ASSY	5817501011	1
10	CLIP U	5817501013	1
11	TORX HD TAP SCREW M3x16	5817501014	6
13	FERRITE CORE	5817502010	1

EXPLODED DRAWING AND SPARE PARTS

**ABS 18 COMPACT
CLASSIC**

Art. 5717 514 012

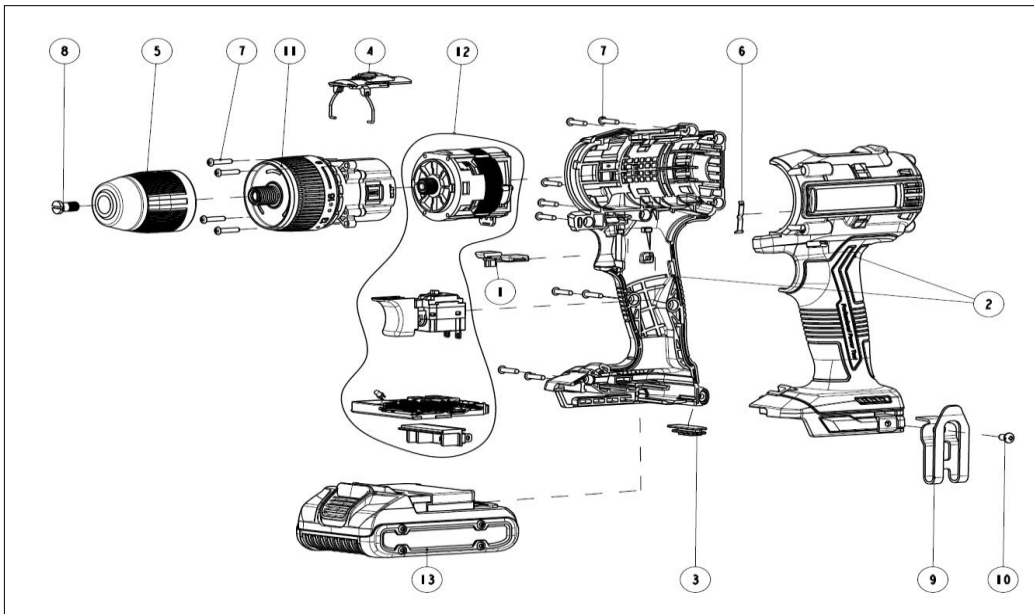


Parts List				Parts List			
Ref.No	Description	Art. No	P. Qty	Ref.No	Description	Art. No	P. Qty
1	REVERSE KNOB	5817501009	1	7	+FLAT HD TAP SCREW M3x17	5817501014	13
2	HOUSING SUB ASS'Y	5817514002	1	8	SPECIAL SCREW M6x22	5817001032	1
3	RUBBER DAMPER	5817506016	1	9	HOOK	5817506018	1
4	SHIFT KNOB ASS'Y	5817514004	1	10	+TRUSS HD MC SCREW M4x8	5817506019	1
5	KEYLESS CHUCK	5817514005	1	11	GEAR BOX ASS'Y	5817514011	1
6	CLICK SPRING	5817501012	1	12	CONT+MOTOR SUB ASS'Y	5817514012	1

EXPLODED DRAWING AND SPARE PARTS

**ABS 18 COMPACT
COMBI CLASSIC**

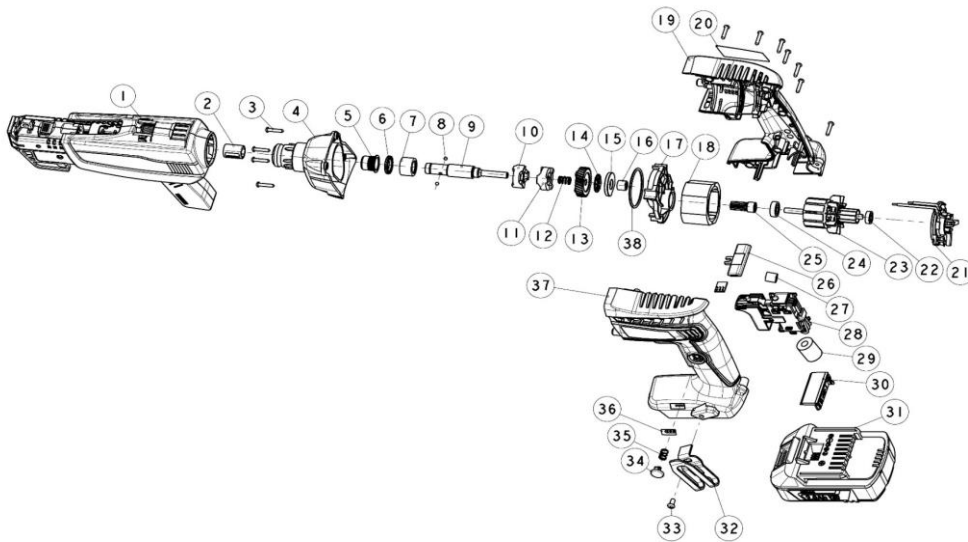
Art. 5717 515 012



Parts List				Parts List			
Ref.No	Description	Art. No	P. Qty	Ref.No	Description	Art. No	P. Qty
1	REVERSE KNOB	5817501009	1	7	+FLAT HD TAP SCREW M3x17	5817501014	13
2	HOUSING SUB ASS'Y	5817514002	1	8	SPECIAL SCREW M6x22	5817001032	1
3	RUBBER DAMPER	5817506016	1	9	HOOK	5817506018	1
4	SHIFT KNOB ASS'Y	5817514004	1	10	+TRUSS HD MC SCREW M4x8	5817506019	1
5	KEYLESS CHUCK	5817514005	1	11	GEAR BOX ASS'Y	5817515011	1
6	CLICK SPRING	5817501012	1	12	CONT+MOTOR SUB ASS'Y	5817514012	1

EXPLODED DRAWING AND SPARE PARTS

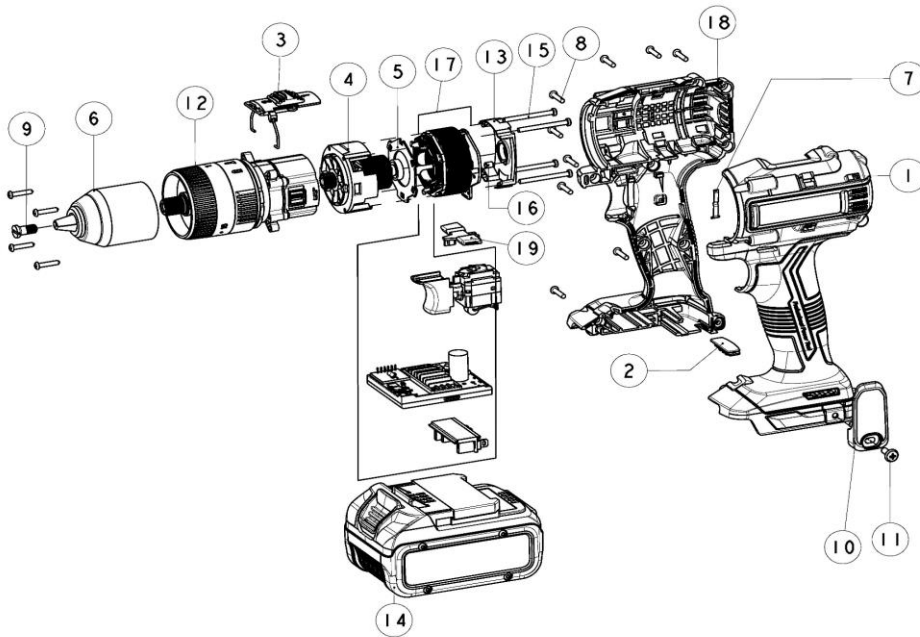
ATS 18 CLASSIC
Art. 5717 516 0XX



Parts List				Parts List			
Ref.No	Description	Art. No	P. Qty	Ref.No	Description	Art. No	P. Qty
1	KAF-57, WÜRTH ,AUTO FEEDER	5817516022	1	16, 17	INNER COVER ASSY	5817516011	1
2	HOLDER SLEEVE	5817057001	1	18	ST ASSY	5817516012	1
3	TORX HD TAP SCREW M3x16	5817501014	11	19, 34, 35, 37	HOUSING ASSY	5817516014	1
4, 5, 6, 7	GEAR COVER ASSY	5817516003	1	21,27, 28, 29, 30	SWITCH SUB ASSY	5817516016	1
8	STEEL BALL D3	5817057004	2	22, 23, 24, 25	ARMATURE ASSY	5817516018	1
9, 10	SPINDLE ASSY AS	5817057005	1	26	REVERSE KNOB	5817506010	1
11	CLUTCH A	5817516006	1	32	HOOK	5817506018	1
12	CLUTCH SPRING	5817057007	1	33	TORX TRUSS HD MC SCREW M4x8	5817506019	1
13	GEAR	5817057008	1	36	INLAY	5817516013	1
14	AXIAL BEARING AXK0619	5817057009	1	38	O-RING S39	5817516021	1
15	WASHER A	5817516010	1				

EXPLODED DRAWING AND SPARE PARTS

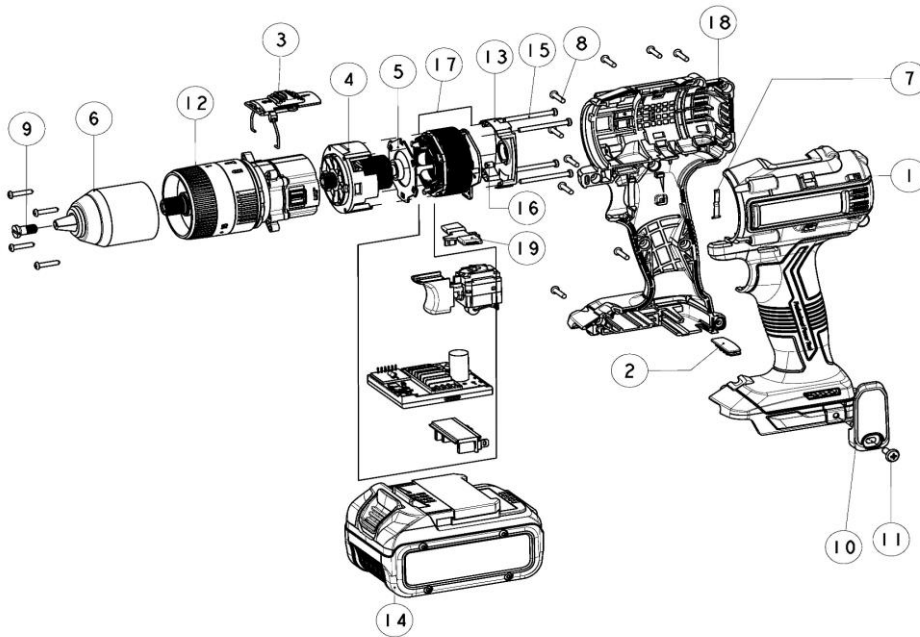
ABS 18 COMBI CLASSIC
Art. 5817 519 01X



Parts List			
Ref.No	Description	Art. No	P. Qty
1, 18	HOUSING ASSY	5817514002	1
2	RUBBER DAMPER	5817506016	1
3	SHIFT KNOB ASS'Y	5817514004	1
4	ROTOR SUB ASS'Y N	5817519004	1
5	FAN GUIDE	5817519005	1
6	KEYLESS CHUCK	5817519006	1
7	CLICK SPRING	5817501012	1
8	TORX HD TAP SCREW M3x16	5817501014	13
9	TORX HD SPECIAL SCREW M6x24	5817001032	1
10	BELT CLIP	5817519010	1
11	TORX SW TRUSS HD MC M4x15	5817519011	1
12	GEAR BOX ASS'Y	5817519012	1
13	MOTOR REAR COVER	5817519013	1
15	TAP SCREW M3x35	5817519014	1
17	CONT STATOR SUB ASS'Y	5817519015	1
19	REVERSE KNOB	5817501009	1

EXPLODED DRAWING AND SPARE PARTS

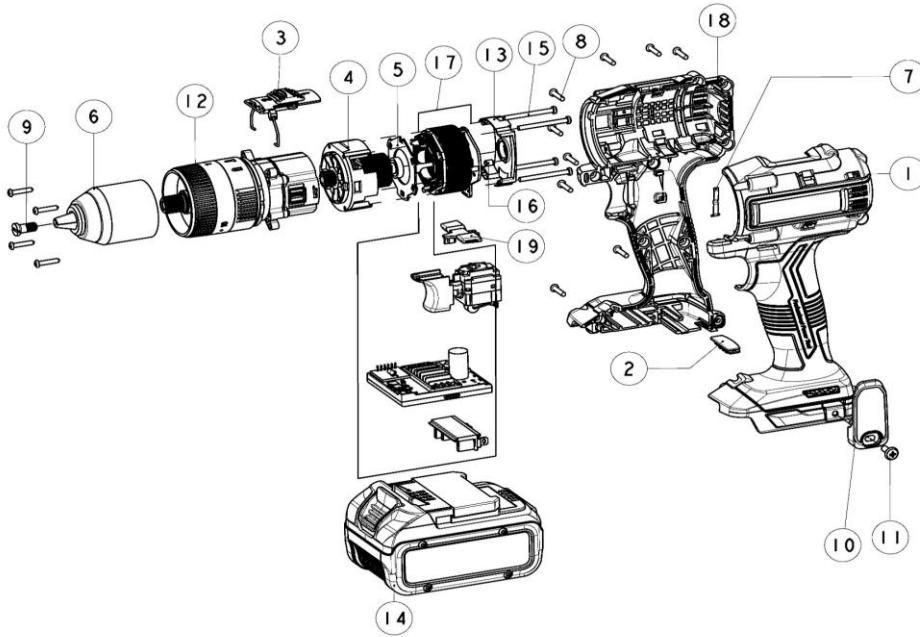
ABS 18 COMBI CLASSIC
Art. 8717 519 122



Parts List			
Ref.No	Description	Art. No	P. Qty
1, 18	HOUSING ASSY	5817514002	1
2	RUBBER DAMPER	5817506016	1
3	SHIFT KNOB ASSY	5817514004	1
4	ROTOR SUB ASSY N	5817519004	1
5	FAN GUIDE	5817519005	1
6	KEYLESS CHUCK	5817519006	1
7	CLICK SPRING	5817501012	1
8	TORX HD TAP SCREW M3x16	5817501014	13
9	TORX HD SPECIAL SCREW M6x24	5817001032	1
10	BELT CLIP	5817519010	1
11	TORX SW TRUSS HD MC M4x15	5817519011	1
12	GEAR BOX ASSY	5817519012	1
13	MOTOR REAR COVER	5817519013	1
15	TAP SCREW M3x35	5817519014	1
17	CONT STATOR SUB ASSY	5817519015	1
19	REVERSE KNOB	5817501009	1

EXPLODED DRAWING AND SPARE PARTS

ABS 18 COMBI CLASSIC
Art. 5717 521 01X

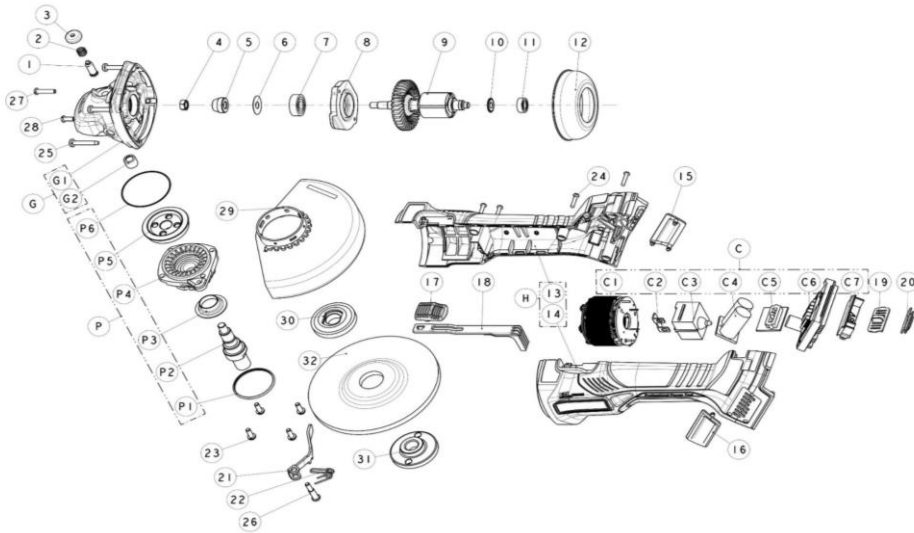


Parts List			
Ref.No	Description	Art. No	P. Qty
1, 18	HOUSING ASSY	5817514002	1
2	RUBBER DAMPER	5817506016	1
3	SHIFT KNOB ASS'Y	5817514004	1
4	ROTOR SUB ASS'Y N	5817519004	1
5	FAN GUIDE	5817519005	1
6	KEYLESS CHUCK	5817519006	1
7	CLICK SPRING	5817501012	1
8	TORX HD TAP SCREW M3x16	5817501014	13
9	TORX HD SPECIAL SCREW M6x24	5817001032	1
10	BELT CLIP	5817519010	1
11	TORX SW TRUSS HD MC M4x15	5817519011	1
12	GEAR BOX ASSY	5817519012	1
13	MOTOR REAR COVER	5817519013	1
15	TAP SCREW M3x35	5817519014	4
17	CONT STATOR SUB ASSY	5817519015	1
19	REVERSE KNOB	5817501009	1

EXPLODED DRAWING AND SPARE PARTS

AWS 18-125S CLASSIC

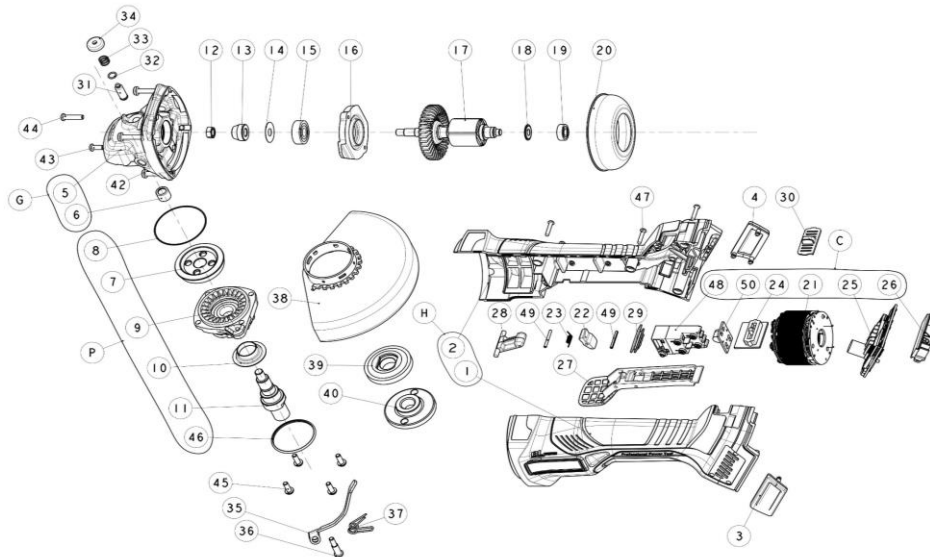
Art. 5717 526 01X



Parts List				Parts List			
Ref.No	Description	Art. No	P. Qty	Ref.No	Description	Art. No	P. Qty
1	LOCK PIN	5817004007	1	19	VARIABLE KNOB	5817526009	1
2	LOCK SPRING	5817509007	1	20	RUBBER DAMPER	5817506016	1
3	PUSH BUTTON	5817526001	1	21	ONE TOUCH LEVER	5817526010	1
4	HEX NUT	5817004013	1	22	ONE TOUCH SPRING	5817526011	1
5	PINION	5817063014	1	23	+PAN HD M/C SCREW M4x12	5817004004	4
6	PLATE	5817004043	1	24	+PAN HD TAP SCREW M3x16	5817501014	5
7	BALL BEARING 608	5817004015	1	25	+PAN HD TAPM4x23	5817004009	4
8	BEARING COVER	5817004016	1	26	SPECIAL SCREW M4x10	5817526013	1
9	ROTOR ASSY	5817526003	1	27	+PAN HD M/C S and SW M4x18	5817004008	1
10	DUST SEAL	5817509033	1	28	+PAN HD M/C SCREW M4*10	5817004032	1
11	BALL BEARING 696	5817508062	1	29	WHEEL GUARD ASSY	5817526014	1
12	FAN GUIDE	5817509040	1	30	WHEEL WASHER	5817004040	1
H(Include #13~#14)	HOUSING ASSY AS	5817526004	1	31	WHEEL NUT	5817004041	1
15	DUST COVER R	5817526005	1	C(Include #C1~#C7)	CONT+STATOR SUB ASSY	5817526015	1
16	DUST COVER L	5817526006	1	G(Include #G1~#G2)	GEAR COVER SUB ASSY AS	5817526016	1
17	S/W KNOB	5817004018	1	P(Include #P1~#P6)	PACKING GLAND SUB ASSY AS	5817526017	1
18	SWITCH ROD	5817526008	1				

EXPLODED DRAWING AND SPARE PARTS

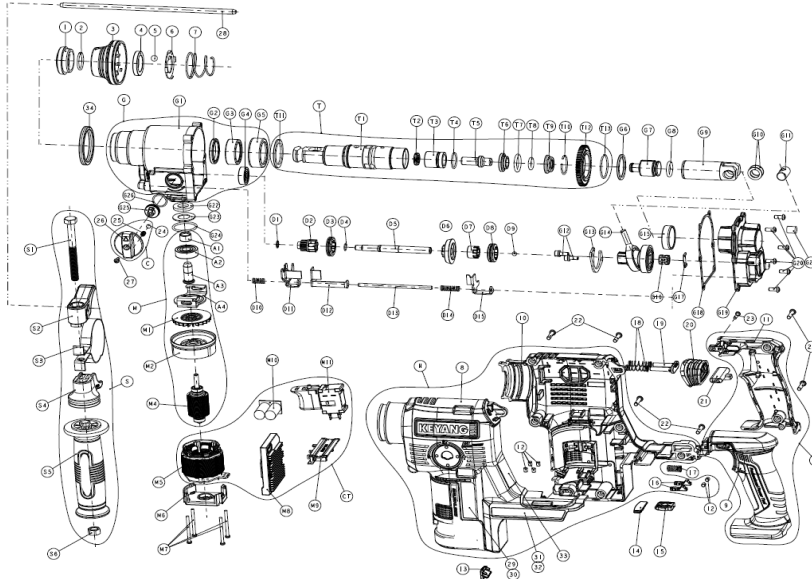
AWS 18-125P CLASSIC
Art. 5717 527 01X



Parts List				Parts List			
Ref.No	Description	Art. No	P. Qty	Ref.No	Description	Art. No	P. Qty
H (Include #1, #2)	HOUSING ASSY AS	5817527001	1	28	PADDLE LEVER TRANSFER	5817527011	1
3	DUST COVER L	5817526006	1	29	RUBBER DAMPER	5817506016	1
4	DUST COVER R	5817526005	1	30	VARIABLE KNOB	5817527012	1
G (Include #5~#6)	GEAR COVER SUB ASSY AS	5817526016	1	31	LOCK PIN	5817004007	1
P (Include #7~#11, #46)	PACKING GLAND SUB ASSY AS	5817526017	1	33	LOCK SPRING	5817509007	1
12	HEX NUT	5817004013	1	34	PUSH BUTTON	5817526001	1
13	PINION	5817063014	1	35	ONE TOUCH LEVER	5817526010	1
14	PLATE	5817004043	1	36	SPECIAL SCREW M4x10	5817526013	1
15	BALL BEARING 608	5817004015	1	37	ONE TOUCH SPRING	5817526011	1
16	BEARING COVER	5817004016	1	38	WHEEL GUARD ASSY	5817526014	1
17	ROTOR ASSY	5817526003	1	39	WHEEL WASHER	5817004040	1
18	DUST SEAL	5817509033	1	40	WHEEL NUT, DG-180FB	5817004041	1
19	BALL BEARING 696	5817508062	1	42	+PAN HD TAP M4x23	5817004009	4
20	FAN GUIDE	5817509040	1	43	+PAN HD M/C SCREW M4x10	5817004032	1
C (Include #21, #24~#26, #48, #50)	CONT+STATOR SUB ASSY	5817527007	1	44	+PAN HD M/C S and SW M4x18	5817004008	1
22	SAFETY LEVER	5817527008	1	45	+PAN HD M/C SCREW M4x12	5817004004	4
23	SAFETY LEVER SPRING	5817527009	1	47	PAN HD TAP SCREW M3x16	5817501014	5
27	PADDLE LEVER	5817527010	1	49	SAFETY LEVER PIN	5817527019	2

EXPLODED DRAWING AND SPARE PARTS

ABH18 LIGHT CLASSIC
Art. 5717 528 01X



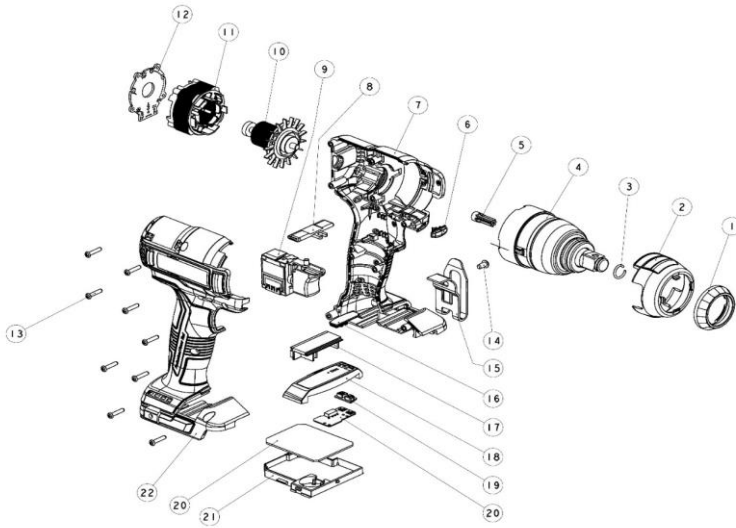
Parts List				Parts List			
Ref.No	Description	Art. No	P. Qty	Ref.No	Description	Art. No	P. Qty
1	DUST CAP	5817059001	1	G17	LEAF SPRING	5817528018	1
2	HOLDER RING	5817002002	1	G18	GASKET	5817528019	1
3	TOOL HOLDER COVER	5817528001	1	G19	GEAR COVER REAR	5817528020	1
4	HOLDER BUSH	5817002004	1	G20	+PAN HD M/C SCREW(M4* 12)	5817528044	6
5	STEEL BALL	5817002005	1	G21	FELT	5817059044	1
6	BALL SUPPORT PLATE	5817002006	1	G22	BEARING FELT	5817528021	1
7	SPRING(B)	5817002007	1	G23	FELT WASHER	5817002057	1
H(Include #8, #10, #12, #14, #22~#32)	HOUSING ASSY	5817528002	1	G24	O-RING(A)	5817002058	1
HH(Include #9, #11)	HOUSING HANDLE ASSY	5817528003	1	G25	CHANGE LEVER CAM	5817528022	1
13	LED COVER	5817528004	1	G26	O-RING(C)	5817528023	1
14	RUBBER DAMPER	5817506016	1	I(Include #11~#13)	TOOL HOLDER SUB ASSY	5817528024	1
15	TERMINAL(D)	5817528005	1	D1	SECOND GEAR WASHER	5817059040	1
17	DAMPER SPRING LOWER	5817528006	1	D2	SECOND GEAR	5817528025	1
18	DAMPER SPRING UPPER	5817528007	2	D3	CLUTCH(B)	5817528026	1
19	SPRING GUIDE	5817528008	1	D4	RING SPRING	5817528027	1
20	BELLOWS	5817528009	1	D5	DRIVING SHAFT	5817528028	1
21	REVERSE KNOB	5817528010	1	D6	FIRST GEAR	5817528029	1
22	+PAN HD TAP SCREW(M4* 18)	5817008045	9	D7	CLUTCH	5817528030	1
23	PAN HD TAP SCREW(M3* 16)	5817501014	1	D8	CLUTCH(A)	5817528031	1
C(Include #24, #25, #26)	CHANGE LEVER ASSY	5817528011	1	D9	STEEL BALL	5817528032	1
G(Include #G1~#G5)	GEAR COVER FRONT ASSY	5817528012	1	D10	LOCKING PLATE SPRING	5817528033	1
G6	METAL BUSH WASHER	5817528013	1	D11	LOCKING PLATE	5817528034	1
G7	STRIKER	5817528014	1	D12	CLTUCH PLATE B	5817528035	1
G8	O-RING(STRIKER)	5817508035	1	D13	GUIDE PIN	5817528036	1
G9	PISTON	5817528015	1	D14	CLUTCH PLATE SPRING	5817528037	1
G10	PISTON PIN WASHER	5817508038	2	D15	CLTUCH PLATE A	5817528038	1
G11	PISTON PIN	5817508037	1	M(Include #A1~#A4, #M1~#M4)	MOTOR+PINION ASSY	5817528039	1
G12	HEX SOC HD BOLT & SW(M4* 12)	5817059049	2	C(Include #M5, #M8~#M11)	CONT+STATOR SUB ASSY	5817528040	1
G13	BEARING COVER(A)	5817059048	1	M6	MOTOR REAR COVER	5817528041	1
G14	SWASH BEARING	5817528016	1	M7	TAP SCREW(M3x40)	5817528042	4
G15	METAL BUSH	5817528017	1	S(Include #S1~#S6)	SIDE HANDLE ASSY	5817528043	1
G16	NEEDLE BEARING	5817002051	1				

EXPLODED DRAWING AND SPARE PARTS

ASS 18 COMPACT CLASSIC

Brand_Yingqi

Art. 5987 518 080



Parts List

Ref.No	Description	Art. No	P. Qty
1	RUBBER BUMPER	5817511001	1
2	GEAR BOX COVER	5817511002	1
3,4	IMPACT WRENCH GEARBOX ASSY	5817518003	1
5,10	ROTOR SUB ASSY (A/S)	5817518004	1
7,22	HOUSING ASSY	5817518005	1
8	REVERSE KNOB	5817506010	1
11,12	HALL PCB ASSY	5817518008	1
6,9,17,18,19,20,21	MAIN PCB ASSY (WURTH)	5817518007	1
13	TORX HD TAP SCREW M3X16	5817501014	9
14	+TRUSS HD M/C SCREW M4x8	5817506019	2
15	HOOK	5817506018	1
16	RUBBER DAMPER	5817506016	1